

ORBIS POST MOUNTING KIT

FOR Ø40/50/60mm POSTS



Installation Guide

IMPORTANT NOTE: ENSURE THAT ALL RELEVANT PERSONNEL READ THESE INSTRUCTIONS PRIOR TO USE



Ensure that personnel carrying out this installation have the relevant qualifications/certificates.

Ensure that all relevant personnel read the points listed within this leaflet and that a copy is given to staff involved with the installation and maintenance of this product.

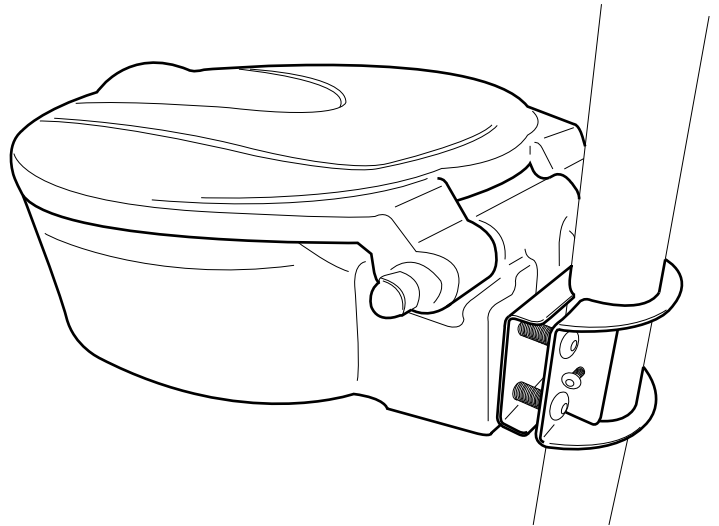
Please refer to 'The Manual Handling Operations Regulations 1992'.

Glasdon recommends that a full Health and Safety analysis is carried out prior to installation.

KIT CONTENTS

- 1 - Ø40/50/60mm Rear Bracket x1
- 2 - M6x16 Grub Screws x2 *
- 3 - Ø40/50/60mm Extension Bracket x1 *
- 4 - M8 Long Socket Button Screw x4
- 5 - M8 Washers x8
- 6 - M8 Nyloc Nut x4

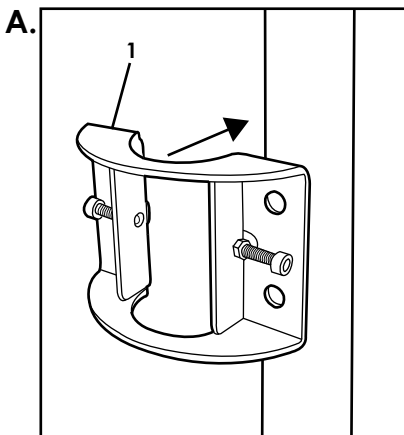
* Extension kit only (for Orbis with Lid)



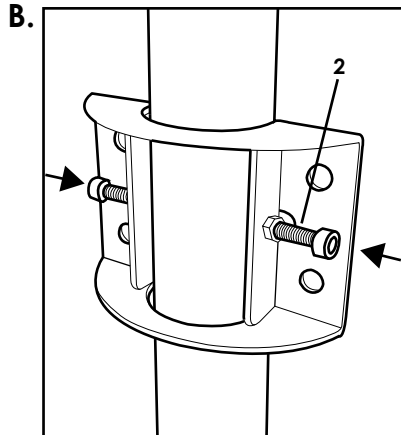
EQUIPMENT REQUIRED

- Ø13 Spanner
- 5mm Allen Key
- Personal Safety Equipment (gloves, safety boots etc.)

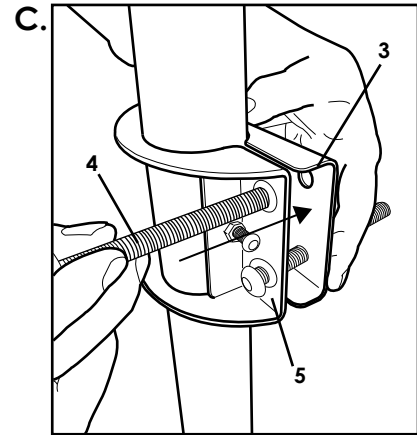
Illustrations are for 'Extended' kits (ie Orbis with lift up Lid).
For Orbis without the Lid, Items 2 and 3 are not required or included



A. Offer Rear Bracket (1) into position on the post, ensuring it is in the correct orientation.



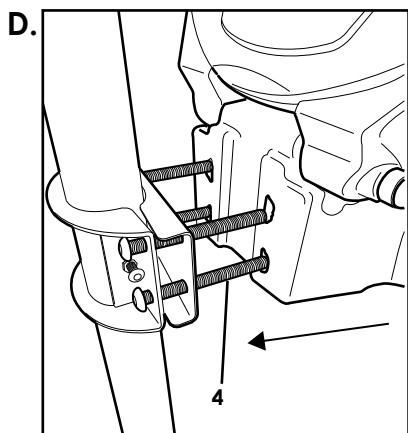
B. Tighten the parallel Grub Screws (2*) to secure Bracket in place.



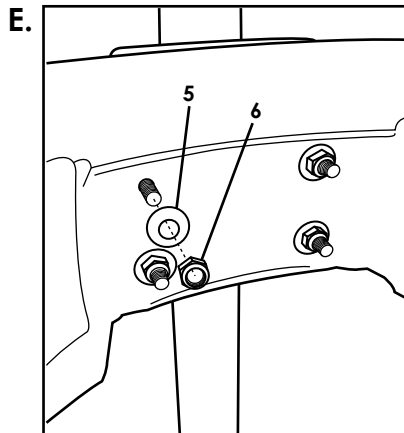
C. Offer Extended Bracket (3*) into position, and feed the Long M8 screws (4), with M8 washers (5) through fixture holes from secured Rear Bracket side.

ORBIS POST MOUNTING KIT

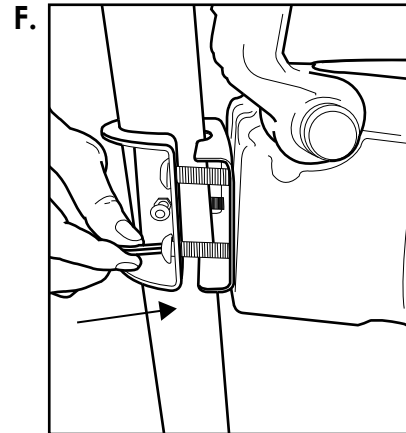
FOR Ø40/50/60mm POSTS



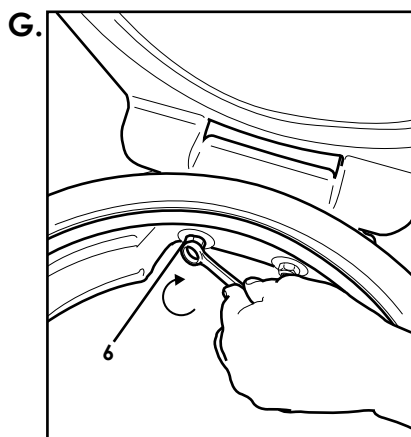
Offer Orbis Ring into position ensuring exposed M8 screws (4) enter the fixtures holes.



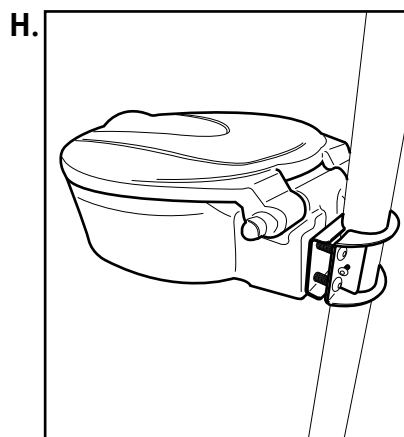
Loosely fasten the Orbis Ring to the post using M8 washers (5) and Nyloc Nuts (6).



Tighten each of the four fixtures by securing the Screw with an Allen key on the Rear Bracket side....



...and using a Ø13 spanner to fasten the Nyloc Nuts (6) within the Orbis Ring.



Review the final assembly to ensure a robust and secure fixture.



AND ORBIS ARE TRADEMARKS OF GLASDON GROUP OR ITS SUBSIDIARIES IN THE U.K. AND OTHER COUNTRIES

- A planned maintenance schedule of regular inspection is recommended, replacing components as necessary.
- Replacement components are available direct from GLASDON UK LIMITED.
- GLASDON UK LIMITED cannot be held responsible for claims arising from incorrect installation, unauthorised modifications or misuse of the product.

Issue 4 ... July 2015

C000/0432

07B324-100

© Copyright 2015

Glasdon UK Ltd reserve the right to alter specifications without prior notice.



Glasdon

Glasdon U.K. Limited

Preston New Road
BLACKPOOL
Lancashire FY4 4UL
Tel: 01253 600410
Fax: 01253 792558
email: sales@glasdon-uk.co.uk
web: www.glasdon.com